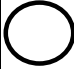







Growbag Description (cm)

Length:		Width:		Height:	
* Coir type:	<input type="radio"/> Natural <input type="radio"/> Mix <input type="radio"/> Pro <input type="radio"/> Premium <input type="radio"/> Supreme				
* Plastic (UV Protected)	<input type="radio"/> 1 Year <input type="radio"/> 2 Years <input type="radio"/> 3 Years				
* Thickness of Plastic bag (µ-Gauge)	<input type="radio"/> 300µ <input type="radio"/> 350µ <input type="radio"/> 400µ <input type="radio"/> 450µ <input type="radio"/> 500µ <input type="radio"/> 550µ <input type="radio"/> 600µ				

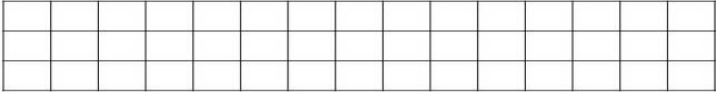
Planting hole - top

** Shape:	<input type="radio"/>  <input type="radio"/>  <input type="radio"/>  <input type="radio"/> 	Size (cm x cm):		No. of holes:	
* One row:	<input type="radio"/> 5 cm <input type="radio"/> 8 cm <input type="radio"/> 10 cm				
* Double row - regular:	<input type="radio"/> 5 cm <input type="radio"/> 6 cm <input type="radio"/> 7 cm				
* Double row - W shape:	<input type="radio"/> 5 cm <input type="radio"/> 6 cm <input type="radio"/> 7 cm				
Other option					

Planting hole - two sides (half on top & half on side)

** Shape:	<input type="radio"/>  <input type="radio"/> 	Size (cm x cm):		No. of holes:	Slide 1	
					Slide 2	

Planting hole configuration

Draw your plant hole design by looking above.	
---	--



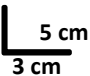
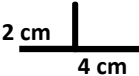
Drainage holes - bottom (25 holes per 1m in row)

* Number of rows:	<input type="radio"/> 1 (middle) <input type="radio"/> 2 <input type="radio"/> 3
* Diameter:	<input type="radio"/> 0.5 cm <input type="radio"/> 0.75 cm <input type="radio"/> 1 cm

Drip holes

* Size:	<input type="radio"/> 0.6 cm <input type="radio"/> 1 cm <input type="radio"/> 1.5 cm	No. of holes	
Configuration on the GB (PLACEMENT):			

Drainage holes - side

** Shape:	<input type="radio"/>  0.8 cm <input type="radio"/>  3 cm <input type="radio"/>  5 cm / 3 cm <input type="radio"/>  2 cm / 4 cm	No. of holes in each side:	
-----------	---	----------------------------	--

* Cut for drip line (option):		<input type="radio"/> Yes <input type="radio"/> No
* A bore (hole) for the dripper in the coir plate:		<input type="radio"/> Yes <input type="radio"/> No

* Circle the selected option

** Erase the irrelevant option

** Depend upon the customer requirement, we will change the designs.